

# MIST GUARD

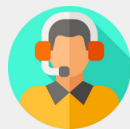


## WHY DUMECH MIST GUARD?

- Mist Guards are implemented in low flow rate high temperature application.
- Easy Installation.
- Most economical solution
- No kitchen floor space consumed



Excellent Warranty Terms.  
Ask Us about it



Ready? Talk to our Sales Rep  
Call: +971 50 653 7348

## FEATURES:

- Easily Serviceable.
- Fully automatic operation. Auto shut off in case of fire.
- Completely 100% Stainless Steel 316 weld construction.
- All metal design makes them more durable.
- Reduces the buildup of grease in the duct line.
- Reduces fire hazards in the hood as well as in the duct.
- User-friendly HMI interface Control Panel with energy efficient system.
- Exhaust fan and hood interlinking option in the control panel.
- Factory-installed spray and manifold assembly.
- Water consumption monitoring system and warning alarm system.
- Demand Control System (optional).

## ADVANTAGES

- Reduce the temperature of air from 250°C to 50°C.
- Reduce the risk of fire.
- Reduce the Grease/ ash content in the air.

**WE PROTECT YOUR NEGLIGENCE AND UNCERTAINTY WITH OUR EXPERTISE**

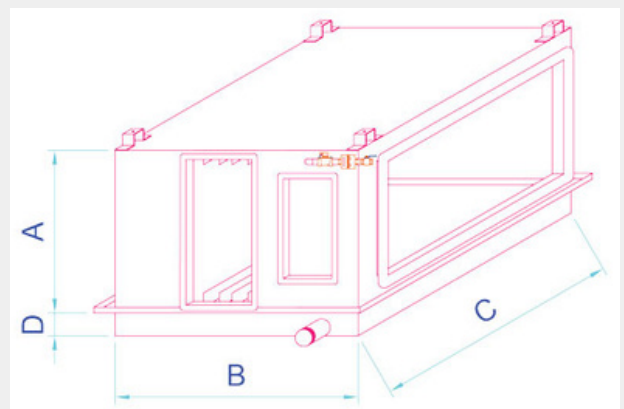
## MODELS

Sl. No	MODEL	FLOWRATE (CFM)	PRESSURE DROP (PA)	A	B	C	D
1	D-MG-500	500	180	350	650	700	100
2	D-MG-1000	1000	180	450	750	800	100
3	D-MG-1500	1500	180	550	850	900	100
4	D-MG-2000	2000	180	600	950	1000	100
5	D-MG-2500	2500	180	650	1000	1200	100

## CONSTRUCTION

- SS 304 gr. canopy
- SS 316 flat spray nozzles
- SS 304 baffle mist eliminators
- SS 316 piping
- IP 55 control cabinet
- User-friendly HMI operation
- Easily removable access doors
- High-quality water flow monitoring device

## DIMENSION DETAILS



## FLAT SPRAY NOZZLES



- High-efficiency flat spray
- SS 316 gr. nozzles

## FLOW SWITCH



- Make - Honeywell-Elster, Germany
- Robust leak-proof construction
- High accuracy
- Tamper proof operation
- Reducing stoppages with grooved piston



'B' Probe fitted and screwed in place with security screw.

## BAFFLE MIST ELIMINATORS

